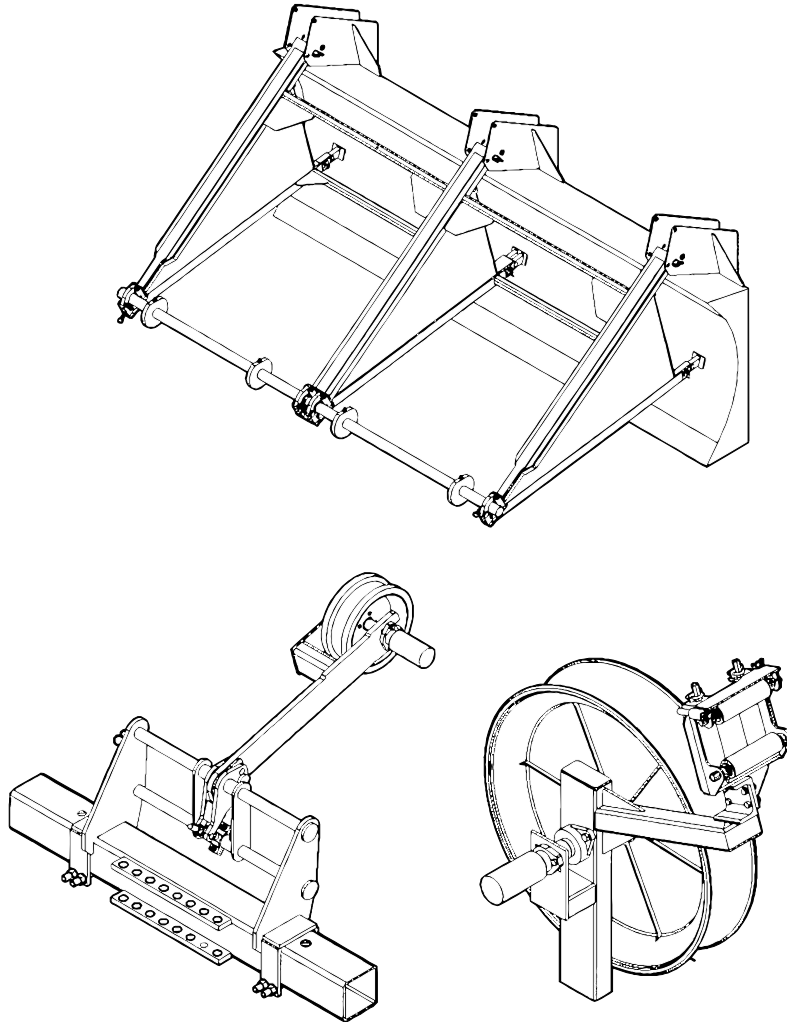




## PLOW ACCESSORIES PARTS MANUAL



### RWF INDUSTRIES

873 Devonshire Ave., Woodstock,

Ontario N4S 8Z4

Tel: (519) 421-0036

Toll Free: 1-800-263-1060

Fax: (519) 421-0028

Email: [parts@rwfbron.com](mailto:parts@rwfbron.com)

**SECTION 1**

**ACCESSORIES:**

CANOPY MOUNTED TAPE FEEDER ..... #22469  
 SINGLE REEL CARRIER – FRAME MOUNT ..... ENCL.  
 DUAL REEL CARRIER – FRAME MOUNT ..... ENCL.  
 BLADE MOUNT SINGLE REEL CARRIER ..... #40318  
 BLADE MOUNT DUAL REEL CARRIER ..... #31258  
 40” FAIRLEAD ..... #31314  
 8” FAIRLEAD ..... #22154  
 CHUTE FAIRLEAD ..... ENCL.  
 POWER REWIND ..... #40345  
 CAPSTAN ..... #40305  
 CONDUIT SLITTER ..... #30378  
 UTILITY PARTS ..... ENCL.  
 CONTROL CABLES ..... ENCL.  
 TEETH ..... ENCL.  
 RETAINER PINS ..... ENCL.  
 CAST CUTTING EDGES ..... ENCL.

**SECTION 2**

**HYDRAULIC SCHEMATICS:**

HYDRAULIC SCHEMATICS – FIXED DISPLACEMENT APPROXIMATELY 2500 PSI ..... ENCL.  
 HYDRAULIC SCHEMATICS – VARIABLE DISPLACEMENT LESS THAN 3000 PSI ..... ENCL.  
 HYDRAULIC SCHEMATICS – VARIABLE DISPLACEMENT GREATER THAN 3000 PSI .. ENCL.

# CHAPTER 1: ACCESSORIES

## TABLE OF CONTENTS

***CANOPY MOUNTED TAPE FEEDER..... 1.1***

***SINGLE REEL CARRIER – FRAME MOUNT ..... 1.2***

***DUAL REEL CARRIER – FRAME MOUNT..... 1.3***

***BLADE MOUNT SINGLE REEL CARRIER ..... 1.4***

***BLADE MOUNT DUAL REEL CARRIER ..... 1.5***

***40” FAIRLEAD..... 1.6***

***8” FAIRLEAD..... 1.7***

***CHUTE FAIRLEAD..... 1.8***

***POWER REWIND ..... 1.9***

***CAPSTAN.....1.10***

***CONDUIT SLITTER.....1.11***

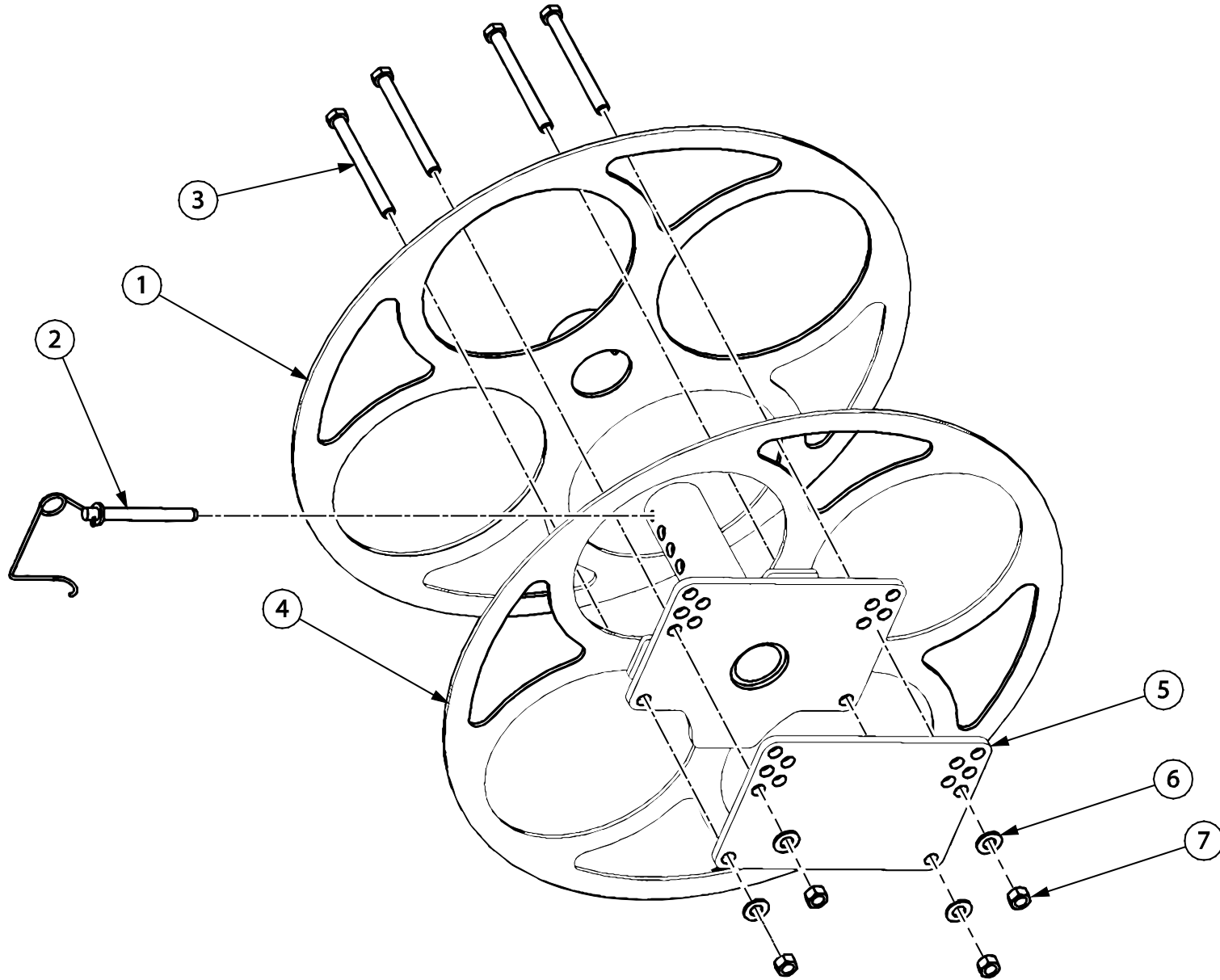
**UTILITY PARTS.....1.12**

**CONTROL CABLES.....1.13**

**TEETH .....1.14**

**RETAINER PINS.....1.15**

**CAST CUTTING EDGES .....1.16**



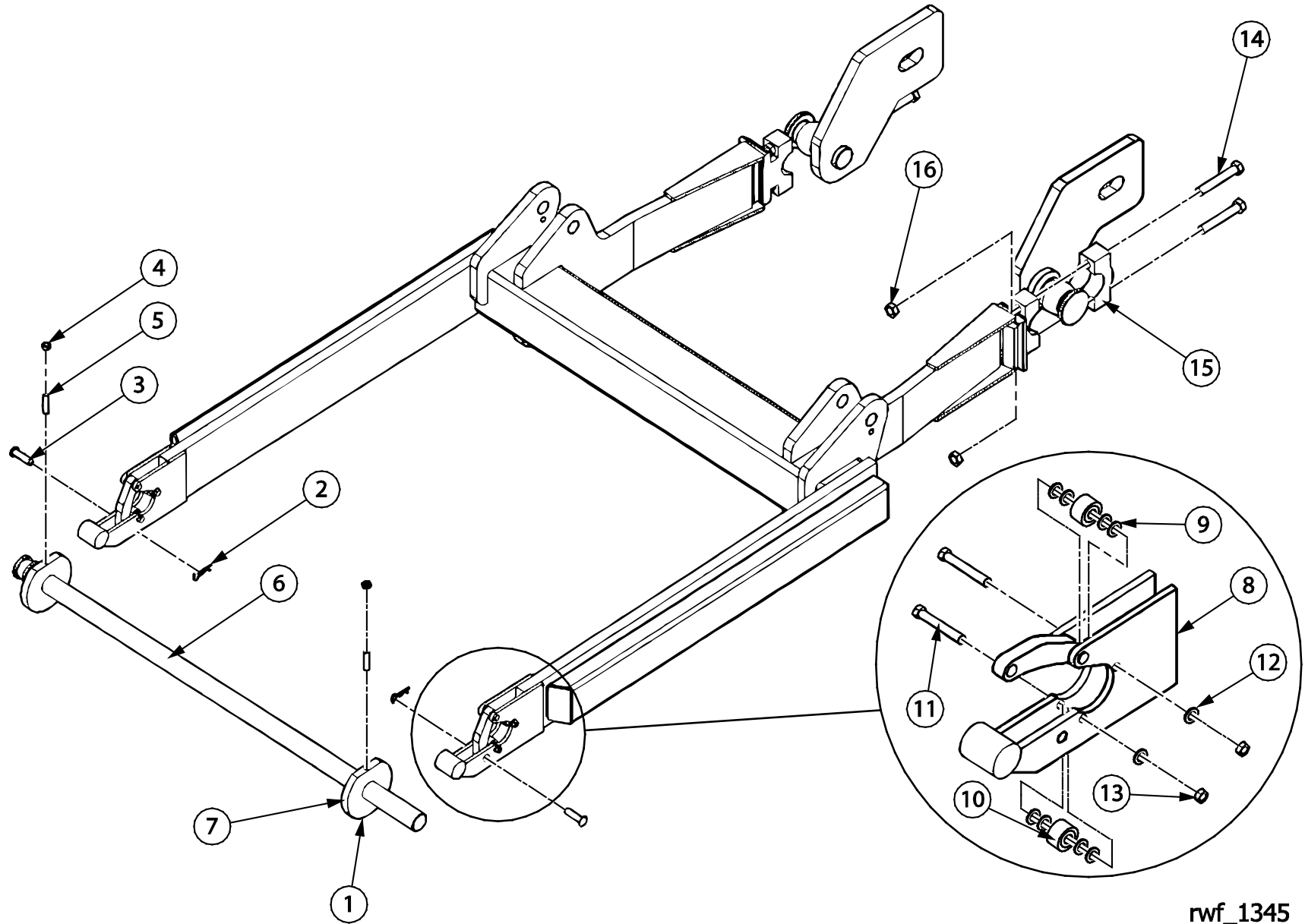
rwf\_1326

## 1.1 CANOPY MOUNTED TAPE FEEDER (22469)

PLOW ACCESSORIES

PARTS MANUAL

Item	Quantity	Part Number	Description
1	1	120840	REMOVABLE FLANGE
2	1	120845	SNAP-LOCK HITCH PIN
3	4	80084	HEX HEAD BOLT
OR 3	4	80086	HEX HEAD BOLT
4	1	22474	FLANGE AND SHAFT ASSEMBLY
5	1	120844	BOLT PLATE
6	4	80580	WASHER
7	4	80504	NUT

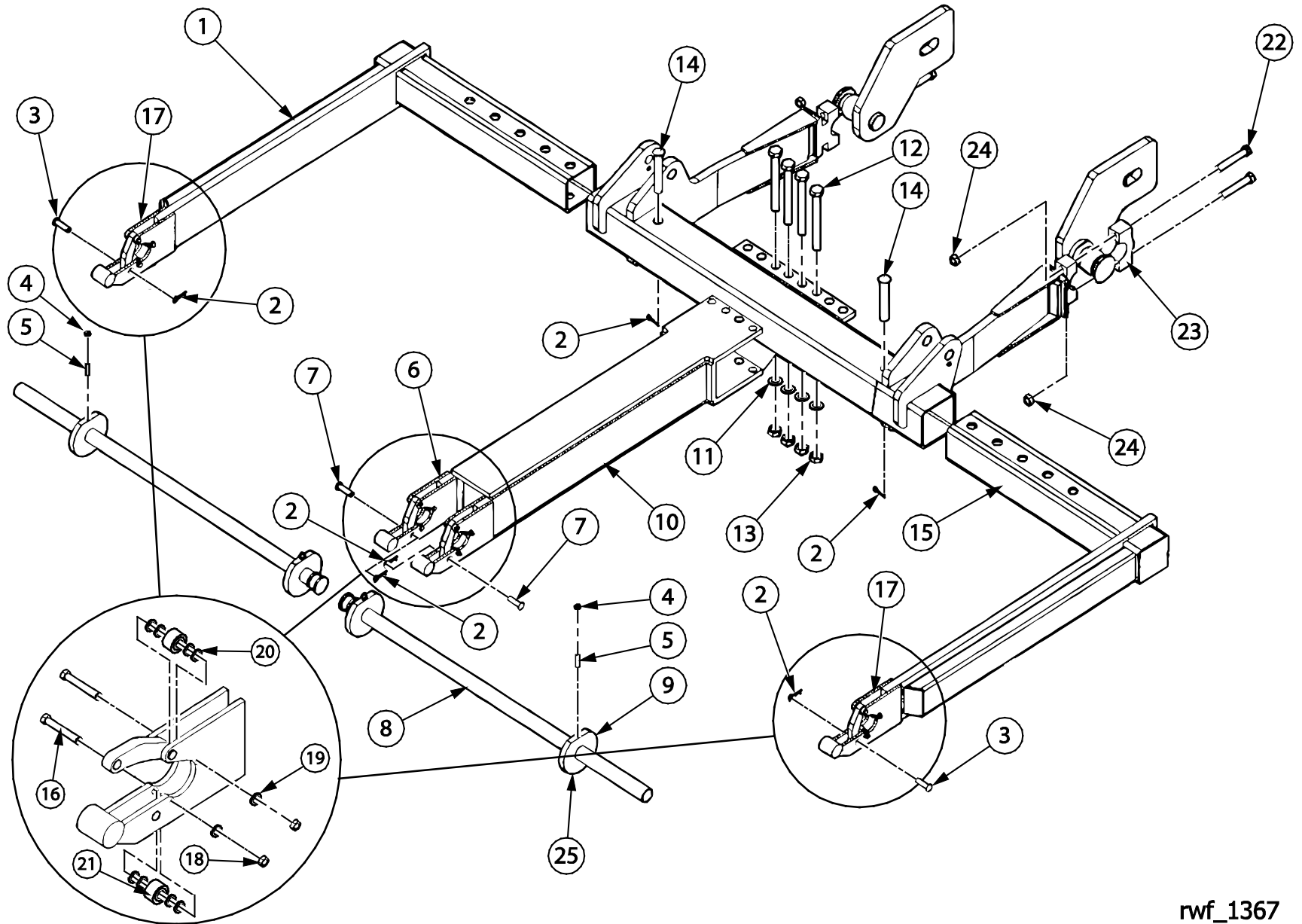


rwf\_1345

Item	Quantity	Part Number	Description
1	2	11070	ARBOUR COLLAR ASSEMBLY
2	3	12719	HITCH PIN
3	2	11819	PIN ASSEMBLY
4	2	80527	JAM NUT
5	2	80612	SET SCREW
6	1	11820	6' ARBOUR ASSEMBLY
7	2	12581	ARBOUR COLLAR
8	2	20314	COMPLETE NOSE ASSEMBLY
9	8	80580	WASHER
10	4	11108	BEARING
11	4	80078	HEX HEAD BOLT
12	4	80567	LOCK WASHER
13	4	80504	NUT
14	4	80170	HEX HEAD BOLT
15	2	17646	BEARING CAP
16	4	80508	NUT



1.3 DUAL REEL CARRIER – FRAME MOUNT



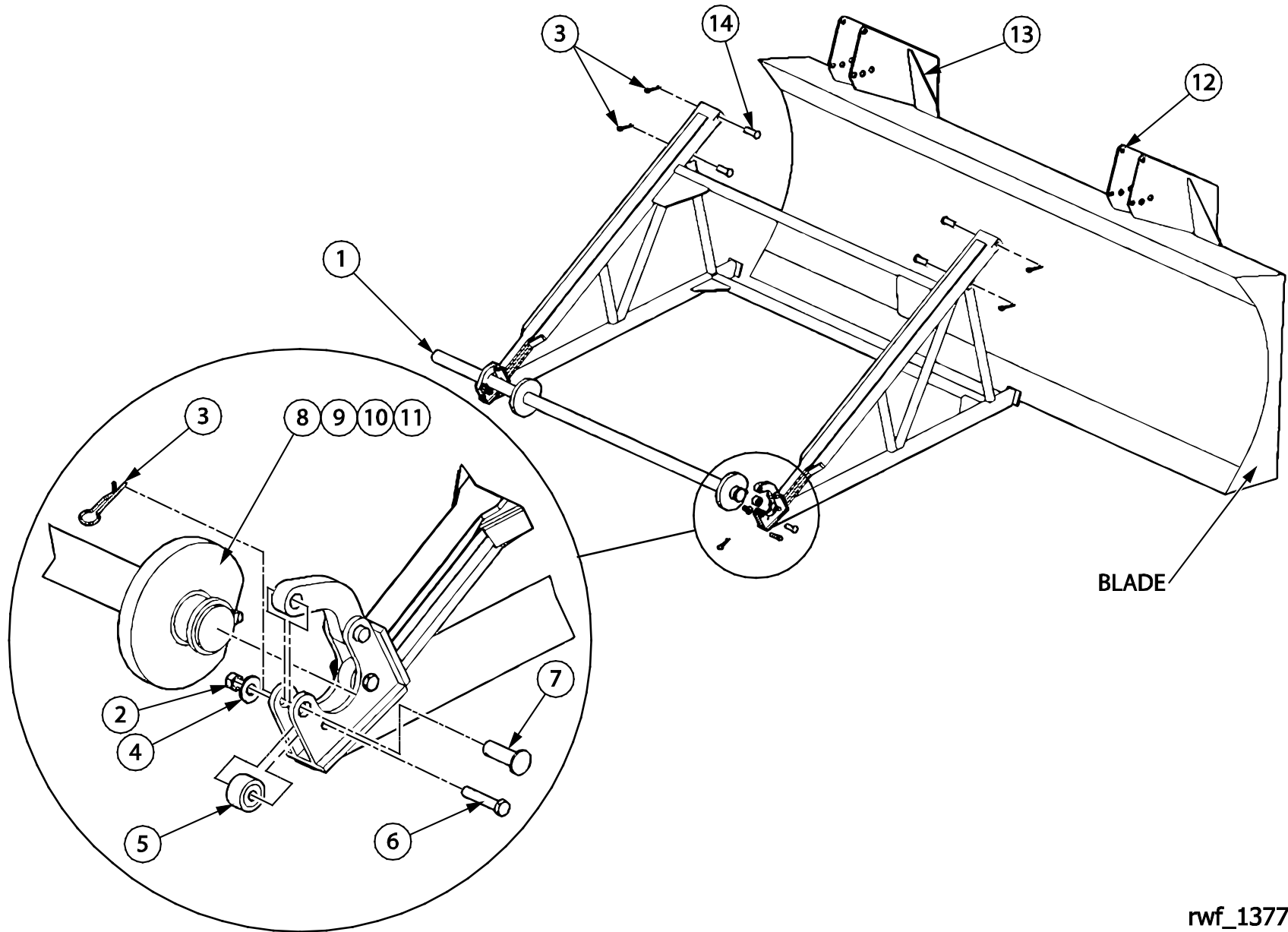
rwf\_1367

## 1.3 DUAL REEL CARRIER – FRAME MOUNT

PLOW ACCESSORIES

PARTS MANUAL

Item	Quantity	Part Number	Description
1	1	20311	RIGHT ARM
OR 1	1	11955	COMPLETE RIGHT ARM ASSEMBLY
2	6	12719	HITCH PIN
3	4	11819	PIN ASSEMBLY
4	4	80527	JAM NUT
5	4	80612	SET SCREW
6	2	20313	COMPLETE CENTRE NOSE ASSEMBLY
7	4	80077	HEX HEAD BOLT
8	1	11820	6' ARBOUR ASSEMBLY
OR 8	2	11822	8' ARBOUR ASSEMBLY
9	4	12581	ARBOUR COLLAR
10	1	20312	CENTRE ARM
OR 10	1	11957	COMPLETE CENTRE ARM ASSEMBLY
11	4	80572	LOCK WASHER
12	4	80204	HEX HEAD BOLT
13	4	80509	NUT
14	2	11815	PIN ASSEMBLY
15	1	20310	LEFT ARM
OR 15	1	11956	COMPLETE LEFT ARM ASSEMBLY
16	4	80078	HEX HEAD BOLT
17	2	20314	COMPLETE CENTRE NOSE ASSEMBLY
18	8	80504	NUT
19	8	80567	LOCK WASHER
20	32	80580	WASHER
21	8	11108	BEARING
22	4	80170	HEX HEAD BOLT
23	2	17646	BEARING CAP
24	4	80508	NUT
25	4	11070	COMPLETE ARBOUR ASSEMBLY



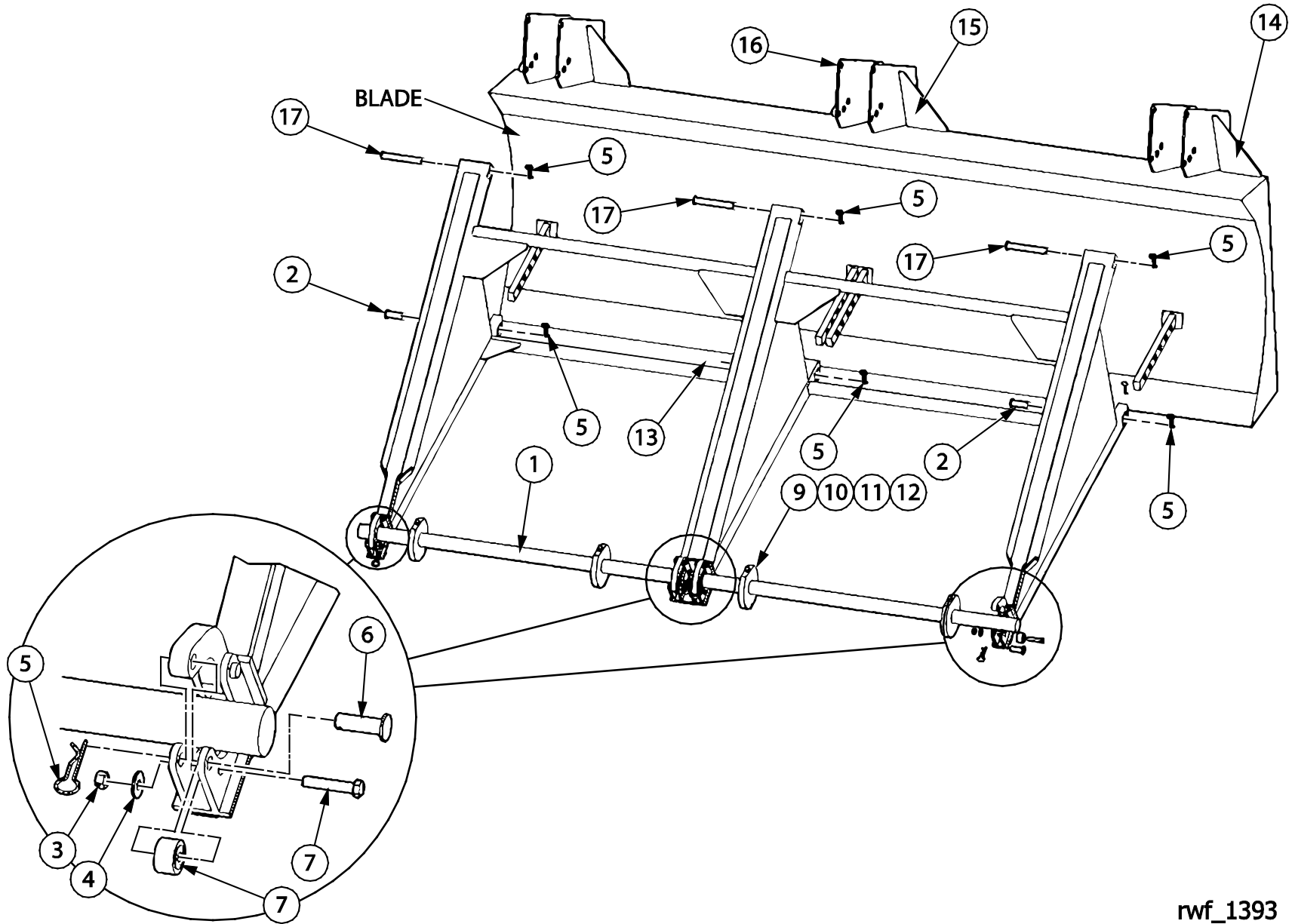
rwf\_1377

1.4 BLADE MOUNT SINGLE REEL CARRIER (40318) OR COMPLETE SINGLE BLADE MOUNT ASSEMBLY (40290)

PLOW ACCESSORIES

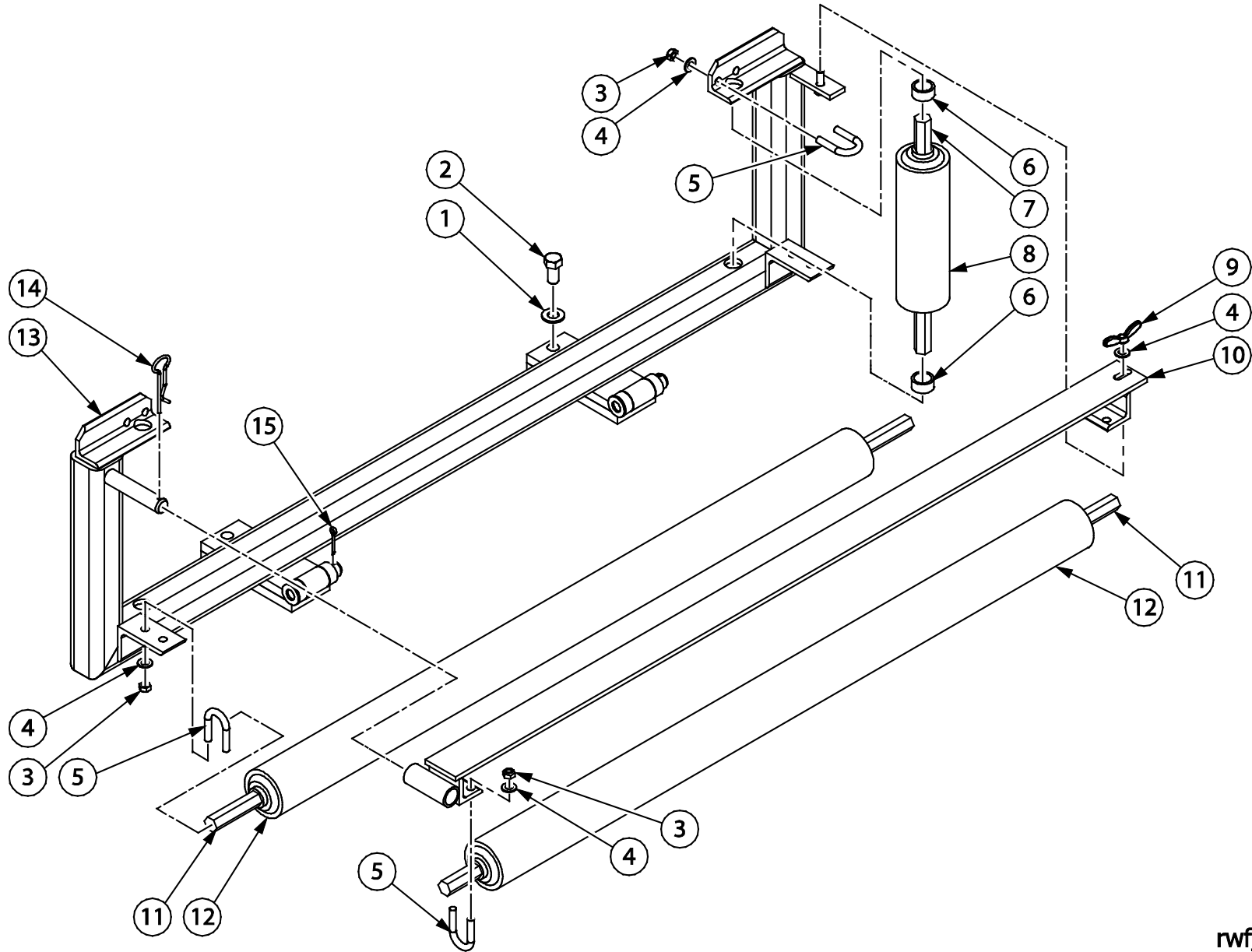
PARTS MANUAL

Item	Quantity	Part Number	Description
1	1	11067	ARBOUR BAR
2	4	80504	NUT
3	6	12719	HITCH PIN
4	4	80567	LOCK WASHER
5	4	11108	BEARING
6	4	80076	HEX HEAD BOLT
7	2	11068	PIN
8	2	11070	COMPLETE ARBOUR COLLAR ASSEMBLY
9	2	80527	JAM NUT
10	2	80612	SET SCREW
11	2	12581	ARBOUR COLLAR
12	4	16606	MOUNTING PLATE
13	4	11063	GUSSET
14	4	11538	PIN (THIS PIN IS USED ON 40318 IN PLACE OF 11069)
OR 14	4	11069	3½" PIN (THIS PIN IS USED ON 40290 IN PLACE OF 11538)



rwf\_1393

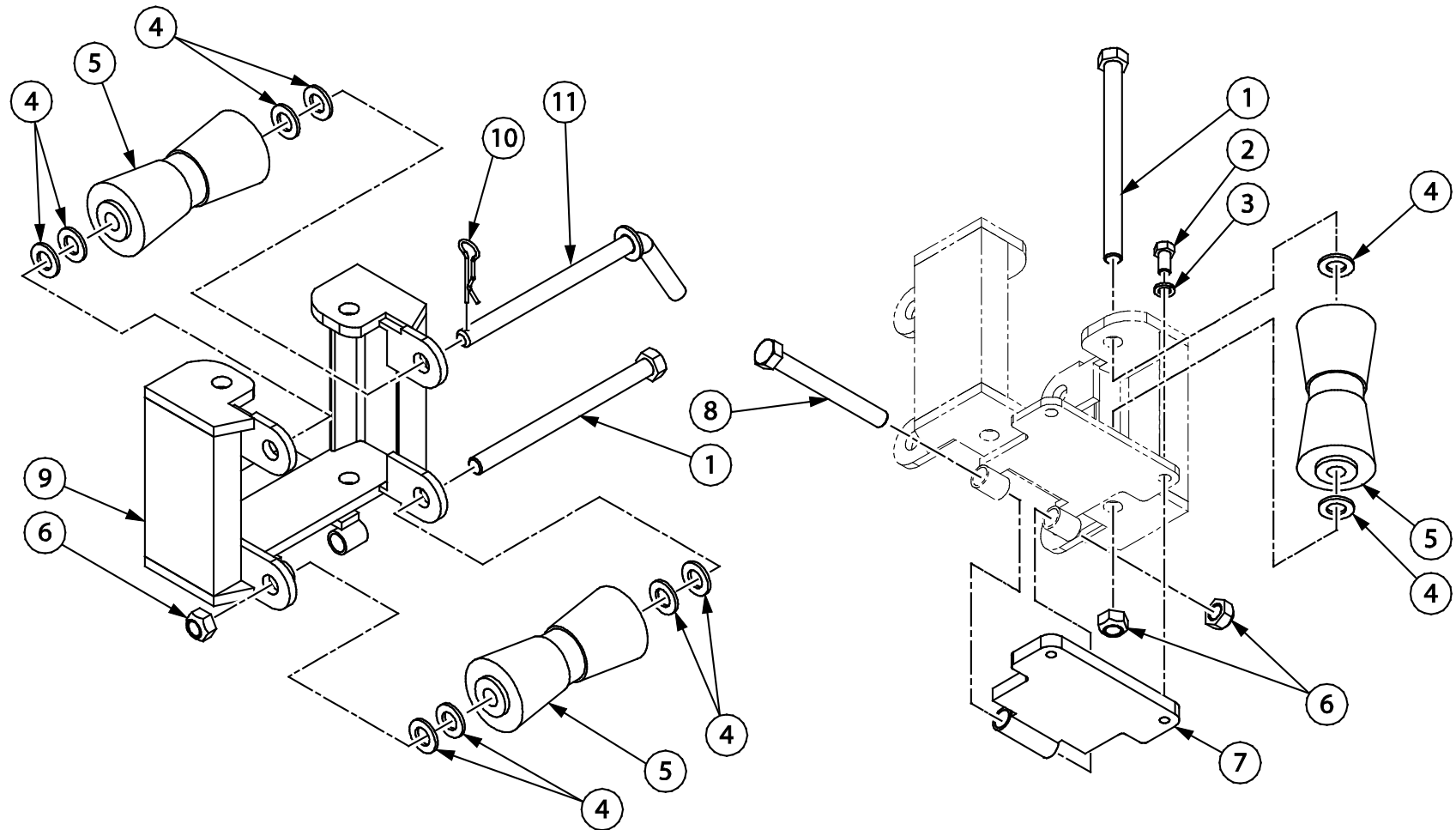
Item	Quantity	Part Number	Description
1	2	18261	ARBOUR BAR
2	2	11069	PIN
3	8	80504	NUT
4	8	80567	LOCK WASHER
5	10	12719	HITCH PIN
6	4	11068	PIN
7	8	11108	BEARING
8	8	80076	HEX HEAD BOLT
9	4	11070	COMPLETE ARBOUR COLLAR ASSEMBLY
10	4	80527	JAM NUT
11	4	80612	SET SCREW
12	4	12581	ARBOUR COLLAR
13	1	120803	PIN
14	2	116645	OUTSIDE GUSSET
15	4	11063	GUSSET
16	6	16606	MOUNTING PLATE
17	3	11538	PIN



rwf\_0163

Item	Quantity	Part Number	Description
1	2	80580	WASHER
2	2	80069	HEX HEAD BOLT
3	12	80501	NUT
4	13	80564	LOCK WASHER
5	6	11787	U-BOLT
6	4	11793	SPACER
7	2	11785	HEXAGON SHAFT
8	2	11783	8" ROLLER
9	1	80494	WING NUT
10	1	118838	UPPER FRAME WELDMENT
11	2	11786	HEXAGON SHAFT
12	2	11784	40" ROLLER
13	1	118767	FRAME WELDMENT
14	1	12719	HAIR PIN CLIP
15	2	80630	COTTER PIN

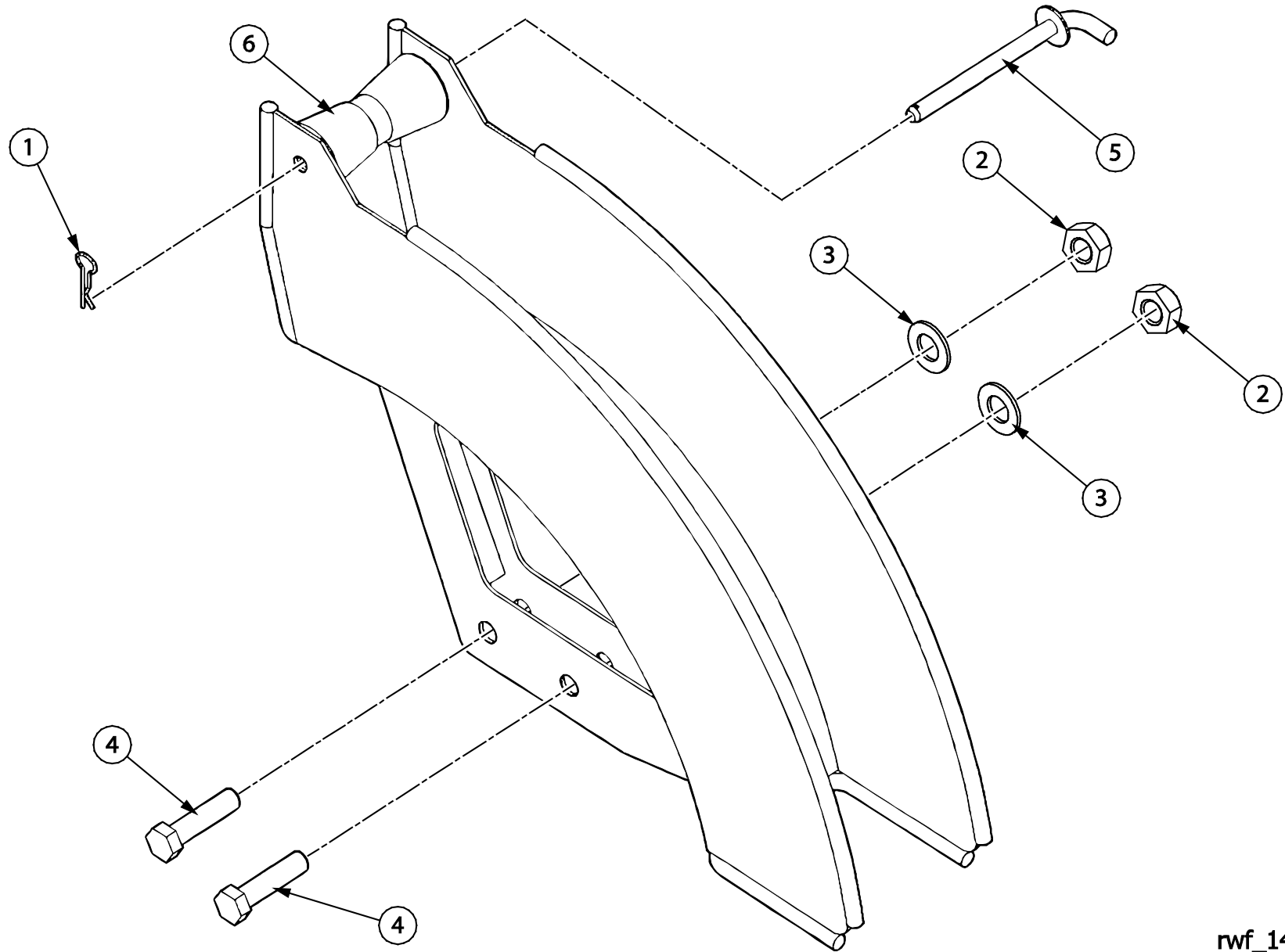




rwf\_0164

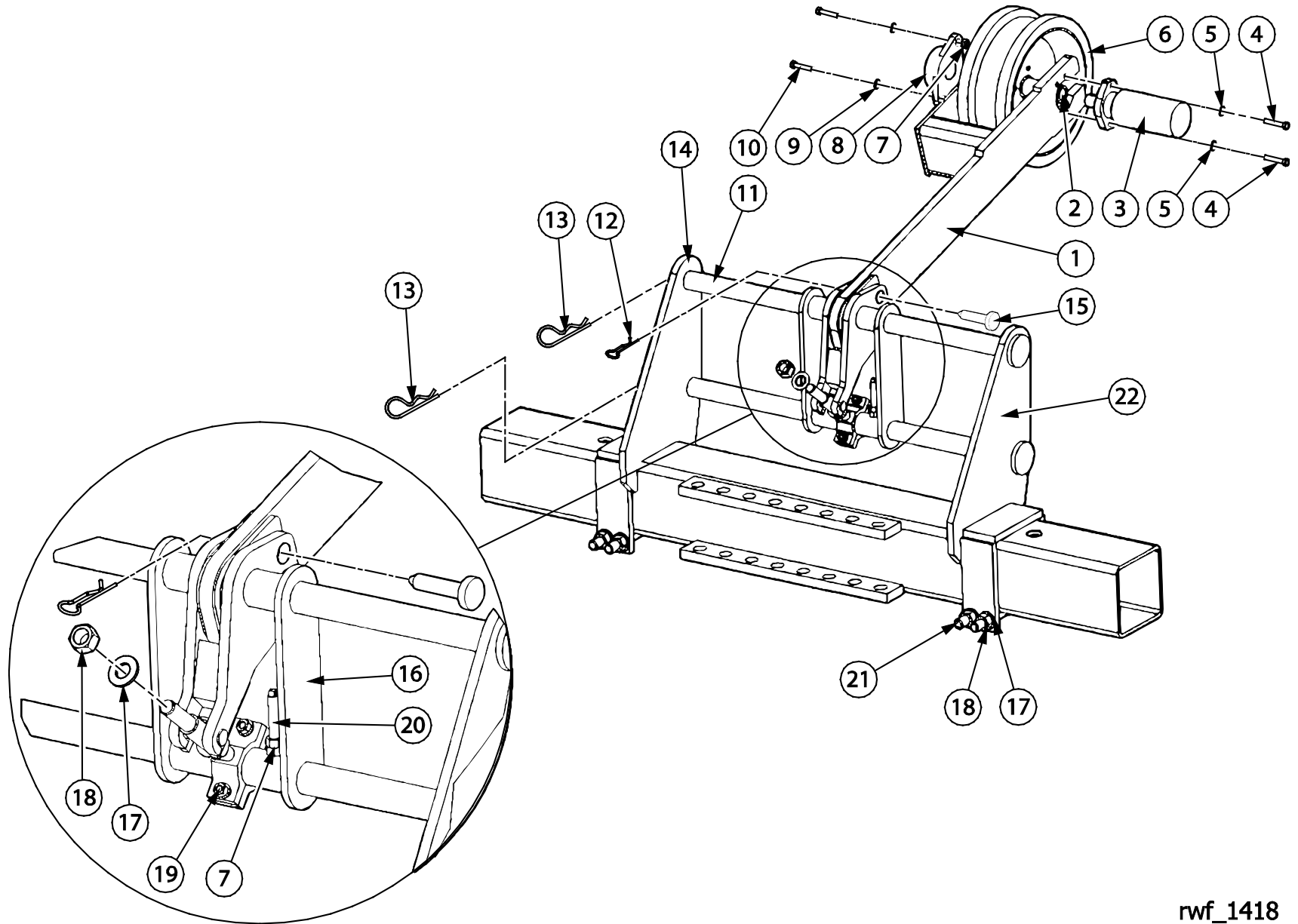
<b>Item</b>	<b>Quantity</b>	<b>Part Number</b>	<b>Description</b>
1	3	80131	HEX HEAD BOLT
2	2	80069	HEX HEAD BOLT
3	2	80567	LOCK WASHER
4	12	80582	WASHER
5	4	12174	RUBBER ROLLER
6	4	80517	LOCK NUT
7	1	20374	LAYDOWN PLATE
8	1	80124	HEX HEAD BOLT
9	1	22155	FAIRLEAD FRAME WELDMENT
10	1	12719	HITCH PIN CLIP
11	1	141236	PULL HITCH PIN WELDMENT

1.8 CHUTE FAIRLEAD



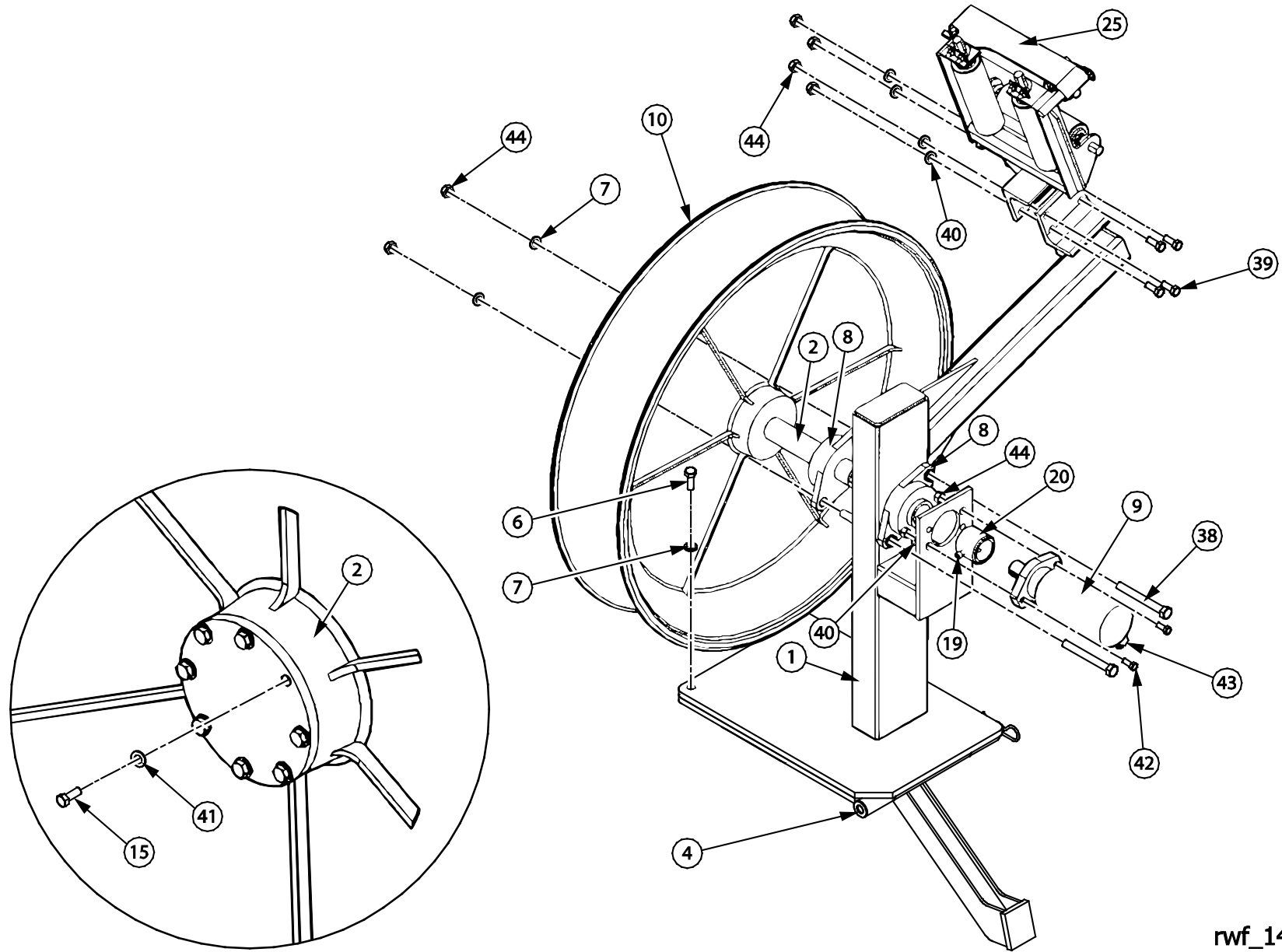
rwf\_1400

<b>Item</b>	<b>Quantity</b>	<b>Part Number</b>	<b>Description</b>
1	1	10339	HITCH PIN
2	2	80508	NUT
3	2	80584	WASHER
4	2	80163	HEX HEAD BOLT
5	1	117135	PIN ASSEMBLY
6	1	12174	ROLLER



rwf\_1418

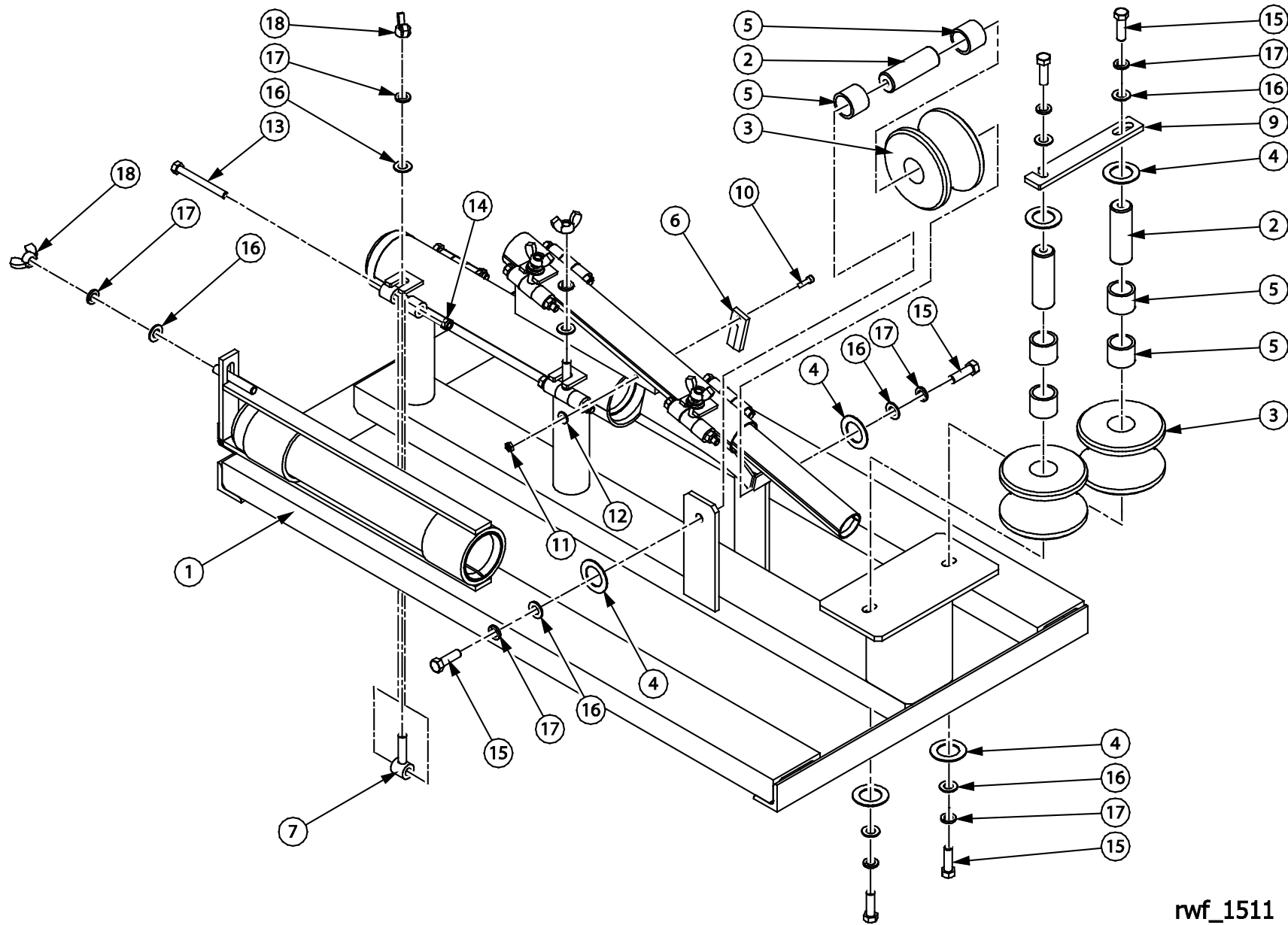
Item	Quantity	Part Number	Description
1	1	20393	ARM WELDMENT
2	1	12465	WHEEL SHAFT
3	1	11455	HYDRAULIC MOTOR
4	2	80073	HEX HEAD BOLT
5	2	80580	WASHER
6	1	13322	WHEEL
7	4	80505	NUT
8	1	11456	BEARING
9	2	80581	WASHER
10	2	80092	HEX HEAD BOLT
11	2	12462	SLIDER BAR
12	1	12789	HITCH PIN
13	2	10581	HITCH PIN
14	1	12454	LEFT HAND MOUNT BRACKET
15	1	12468	PIN
16	1	12451	SLIDE WELDMENT
17	6	80584	WASHER
18	6	80508	NUT
19	1	12459	ADJUSTMENT SCREW ASSEMBLY
20	2	80613	SET SCREW
21	4	80443	HEX HEAD BOLT
22	1	12455	RIGHT HAND MOUNT BRACKET



rwf\_1442

Item	Quantity	Part Number	Description
1	1	30273	MAIN FRAME ASSEMBLY CAPSTAN
2	1	11448	DRIVE SHAFT ASSEMBLY
4	1	11435	HINGE PIN WELDMENT
5	1	12789	HITCH PIN CLIP
6	2	80070	HEX HEAD BOLT
7	4	80567	LOCK WASHER
8	2	11456	FLANGE MOUNT BEARING
9	1	11455	HYDRAULIC MOTOR
10	1	11457	CAPSTAN SHEAVE
15	8	80015	HEX HEAD BOLT
19	2	80610	HEX HEAD SETSCREW SOCKET
20	1	11451	DRIVE SHAFT SLEEVE
25	1	30290	8" FAIRLEAD ASSEMBLY
38	2	80083	HEX HEAD BOLT
39	4	80072	HEX HEAD BOLT
40	14	80580	WASHER
41	8	80577	WASHER
42	2	80309	HEX HEAD BOLT
43	2	90228	45° ADAPTER
44	8	80515	LOCK NUT





rwf\_1511

Item	Quantity	Part Number	Description
1	1	40452	FRAME WELDMENT
2	3	14591	SHAFT
3	3	14592	ROLLER
4	6	14593	THRUST WASHER
5	6	14594	SLEEVE BUSHING
6	1	14595	KNIFE
7	4	14596	EYE BOLT
8	1	14581	REDUCER SLEEVE
9	1	14588	KEEPER
10	1	80240	HEX SOCKET BOLT
11	1	80499	HEX NUT
12	1	80599	LOCK WASHER
13	8	80023	HEX HEAD BOLT
14	8	80512	LOCK NUT
15	6	80030	HEX HEAD BOLT
16	9	80578	WASHER
17	11	80565	LOCK WASHER
18	5	80495	WING NUT
19	OPTIONAL	124663	SLEEVE ADAPTER

<b>Item</b>	<b>Quantity</b>	<b>Part Number</b>	<b>Description</b>
1	REF	80167	SHORT CHUTE BOLTS
2	REF	80176	LONG CHUTE BOLTS
3	REF	10427	CHUTE PINS SET
4	REF	80519	LOCK NUT

## 1.13 CONTROL CABLES

PLOW ACCESSORIES

PARTS MANUAL

<b>Item</b>	<b>Quantity</b>	<b>Part Number</b>	<b>Description</b>
1	REF	118424	45" LONG CABLE
2	REF	10625	65" LONG CABLE
3	REF	14044	72" LONG CABLE
4	REF	13442	96" LONG CABLE
5	REF	113363	108" LONG CABLE
6	REF	113361	126" LONG CABLE
7	REF	116666	130" LONG CABLE
8	REF	113105	148" LONG CABLE
9	REF	115595	SHAKER FLOW CONTROL CABLE
10	REF	11187	REMOTE CONTROL LEVER

Item	Quantity	Part Number	Description
1	REF	3-0868	ATECO STYLE TOOTH
2	REF	13985	RETAINER FOR ATECO STYLE TOOTH
3	REF	13684	BRON TOOTH
4	REF	13987	RETAINER PIN
5	REF	121682	5" TOOTH ON ATECO STYLE TOOTH BASE
6	REF	17466	5" TOOTH ON BRON TOOTH BASE
7	REF	115570	6" TOOTH ON ATECO STYLE TOOTH BASE
8	REF	119956	6" TOOTH ON BRON TOOTH BASE
9	REF	139252	7" TOOTH ON ATECO STYLE TOOTH BASE
10	REF	113505	7" TOOTH ON BRON TOOTH BASE
11	REF	131926	8" TOOTH ON BRON TOOTH BASE
12	REF	132264	10" TOOTH ON BRON TOOTH BASE
13	REF	137133	13" TOOTH ON BRON TOOTH BASE

## 1.15 RETAINER PINS

PLOW ACCESSORIES

PARTS MANUAL

<b>Item</b>	<b>Quantity</b>	<b>Part Number</b>	<b>Description</b>
1	REF	13985	RETAINER PIN FOR 2" GUARDS
2	REF	13986	RETAINER PIN FOR 2½" GUARDS
3	REF	13987	RETAINER PIN FOR 3½" GUARDS
4	REF	28101	15" PIECES OF RETAINER STOCK

## 1.16 CAST CUTTING EDGES

PLOW ACCESSORIES

PARTS MANUAL

Item	Quantity	Part Number	Description
1	REF	13689	2" STRAIGHT CUTTING EDGE
2	REF	13685	2" CURVED CUTTING EDGE
3	REF	13688	2½" STRAIGHT CUTTING EDGE
4	REF	13686	2½" CURVED CUTTING EDGE
5	REF	13690	3½" STRAIGHT CUTTING EDGE
6	REF	13687	3½" CURVED CUTTING EDGE
7	REF	113451	5" STRAIGHT CUTTING EDGE
8	REF	113453	5" CURVED CUTTING EDGE
9	REF	139248	7" GUARD FOR 2" BLADE
10	REF	113513	7" STRAIGHT CUTTING EDGE
11	REF	113508	7" CURVED CUTTING EDGE
12	REF	115347	11" STRAIGHT CUTTING EDGE
13	REF	115348	11" CURVED CUTTING EDGE

# CHAPTER 2: HYDRAULIC SCHEMATICS

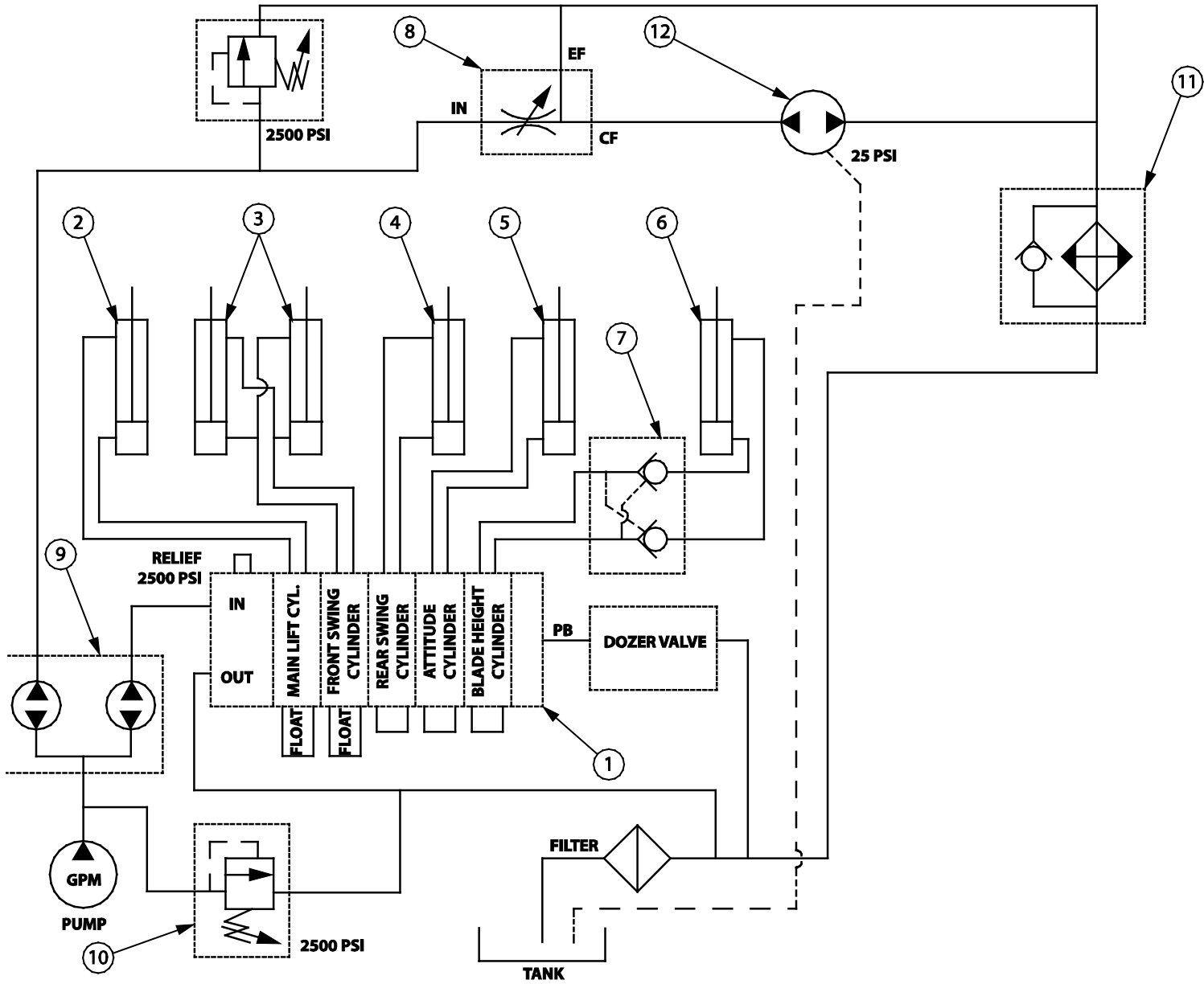
## TABLE OF CONTENTS

This section contains hydraulic schematics of three typical hydraulic systems. These are of a generic nature and should only be used as a quick reference. Please see the hydraulic schematic for the make and model of the actual tractor on which the plow is being installed. It is important that you refer to the Operator's Manual and Parts Manual that you received with your machine. RWF BRON makes no guarantee of the accuracy of this information, as it is a reference only, and reserves the right to make changes to any information herein.

<b><i>HYDRAULIC SCHEMATICS – FIXED DISPLACEMENT APPROXIMATELY 2500 PSI.....</i></b>	<b><i>2.1</i></b>
<b><i>HYDRAULIC SCHEMATICS – VARIABLE DISPLACEMENT LESS THAN 3000 PSI .....</i></b>	<b><i>2.2</i></b>
<b><i>HYDRAULIC SCHEMATICS – VARIABLE DISPLACEMENT GREATER THAN 3000 PSI.....</i></b>	<b><i>2.3</i></b>

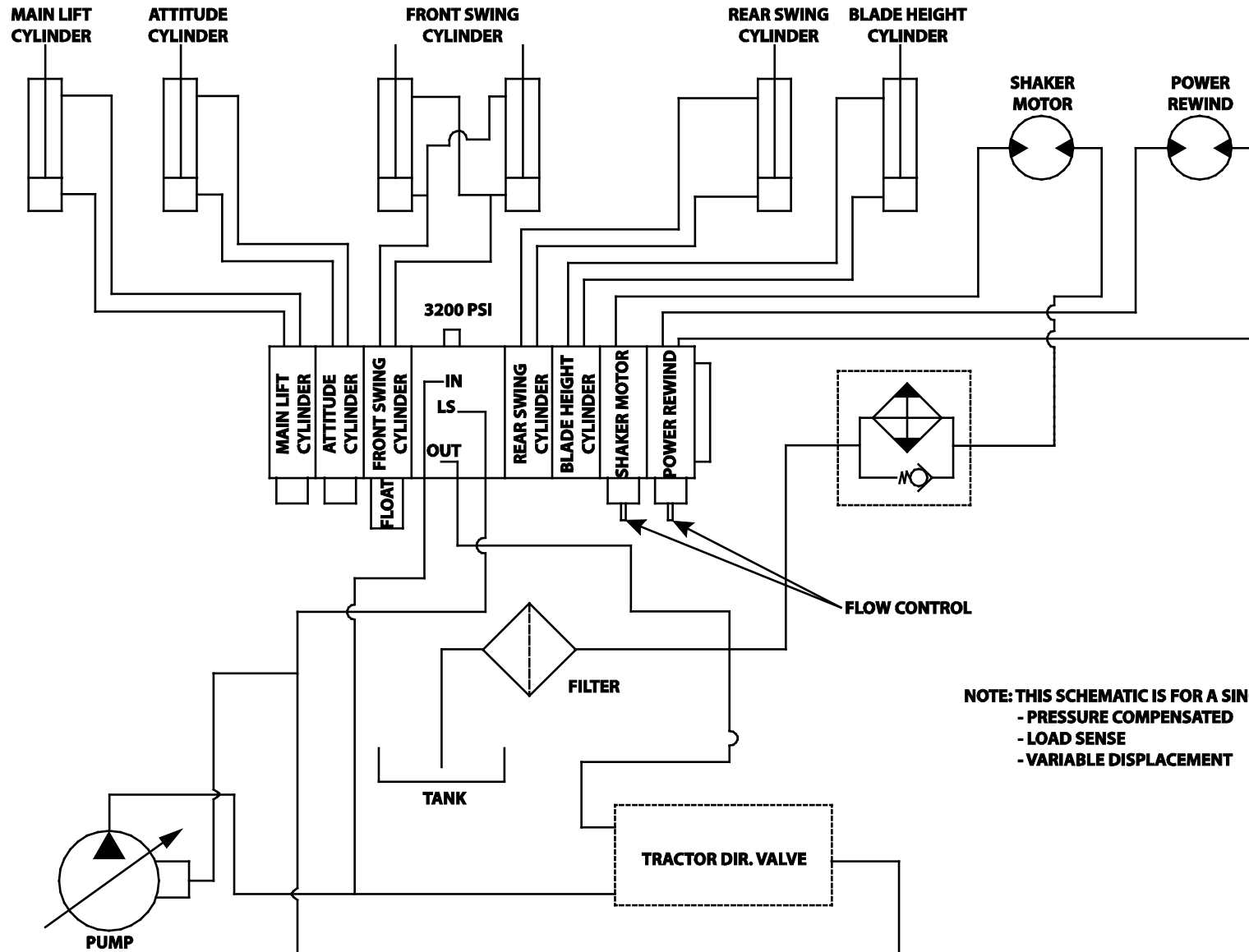


2.1 FIXED DISPLACEMENT HYDRAULIC SCHEMATIC (VANE / GEAR PUMP) WITH PRESSURES OF APPROXIMATELY 2500 PSI  
 PLOW ACCESSORIES PARTS MANUAL



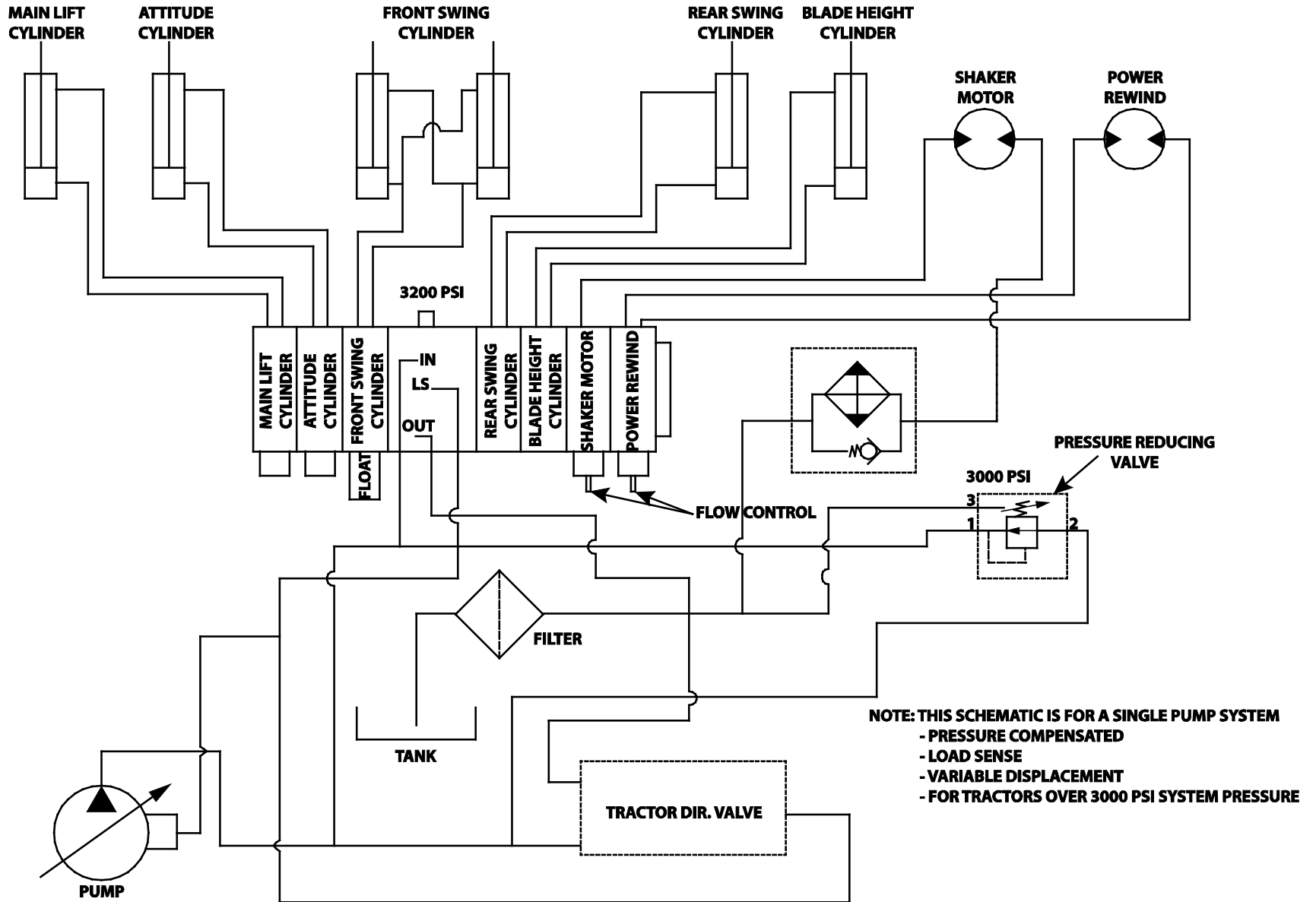
rwf\_1514

<b>Item</b>	<b>Description</b>
1	DIRECTIONAL VALVE
2	MAIN LIFT CYLINDER
3	FRONT SWING CYLINDER
4	REAR SWING CYLINDER
5	ATTITUDE CYLINDER
6	BLADE HEIGHT CYLINDER
7	DOUBLE LOCK VALVE
8	FLOW CONTROL
9	60-40 ROTARY FLOW DIVIDER
10	RELIEF VALVE
11	OIL COOLER
12	SHAKER MOTOR



**NOTE: THIS SCHEMATIC IS FOR A SINGLE PUMP SYSTEM**  
 - PRESSURE COMPENSATED  
 - LOAD SENSE  
 - VARIABLE DISPLACEMENT

rwf\_1515



rwf\_1516